

A photograph of a man and a woman in white towels embracing. The man is on the left, shirtless, and the woman is on the right, also shirtless. They are both looking at each other. The background is dark.

*Large Residential
Classic & Standard
Series Installation
Instructions*

Health

Relaxation

Exhilaration



STEAM ~ WHIRL

Heat

Heat Spa Kur Therapy Development Inc



MODELS: SW-10, SW-12 and SW-18 LARGE RESIDENTIAL CLASSIC & STANDARD SERIES

GUIDELINES FOR STEAM ROOMS

1. Walls, ceiling and floor must be completely covered with waterproof finish; tile, marble, stone or slate.
2. Any smooth surface flooring that is used such as tile or marble, should include an anti-skid finish to avoid slipping and injury.
3. Any exposed plaster, plasterboard or sheet rock surface must be well sealed with a commercial quality waterproof sealer, urethane or epoxy, at least 3 coats.
4. Use cement board, **DO NOT** use green board.
5. Ceiling should be pitched away from the door 1-1/2" per foot or constructed in a gable configuration to prevent condensation from dripping.
6. Built-in seat should be slightly pitched to allow for condensation run-off.
7. Steam room must be completely enclosed with walls, door, floor and ceiling, but should not be vapor proof. A slight opening of approximately 1/4" is desired to create movement of the steam.
8. A standard glass shower door is sufficient, a special door is not necessary.
9. Make sure there is a floor drain for condensation run-off and cleaning.
10. Do not install a fan inside steam room. Hot steam rises and will escape through the flapper.
11. Windows that are part of the steam room enclosure should be double paned.
12. If using lights inside steam room they must be vapor proof.
13. A deionizer or filter hooked up on incoming water line is helpful in hard/corrosive water areas.
14. Install the steam generator to hot side of water to reduce heating time, unless a water softener is hooked up. Water softeners are usually hooked up to hot side.
15. Check local utility line voltage and choose appropriate steam generator voltage; 208 Volt or 240 Volt.
16. Make sure the steam generator is installed in an upright and level position and is in a location that is **ACCESSIBLE** for Water Level Sensor Probe maintenance.
17. Steam generator should never be located where it is exposed to outside weather conditions, freezing temperatures, near flammable materials or inside the steam room.



CONFIRM THE CORRECT MODEL HAS BEEN SELECTED

1. Multiply the length x width x height of the steam room enclosure **(A)** **A**
Cubic Feet
2. ** If enclosure walls are constructed of glass, marble, concrete, stone **(B)**
or slate:
Copy the Figure from box **(A)** to box **(B)**
Cubic Feet
3. Total **(A)** and **(B)** for total Cubic Feet **(C)** **C**
Cubic Feet
4. **INCREASE (C) FOR EACH OF THE FOLLOWING FEATURES OF STEAM ROOM ENCLOSURE**
 - Add 15% for an exterior outside wall **D**
 - Add 15% for each additional foot for rooms over 8' high **E**
 - Add 15% for an extra glass panel in addition to the door **F**
5. Add boxes **(C)** through **(F)** for total Cubic Feet **(G)** **G**
Select recommended model from the
GENERATOR SIZING GUIDE on Page 3
Cubic Feet

**** Certain materials used in the construction of steam rooms may require a larger unit to produce the desired conditions. Consult an Architect, Designer, Contractor or the factory to determine all factors necessary to build a suitable and safe steam room. Larger Generators are available.**

- Steam-Whirl's revolutionary LED self analysis system in the Standard Series generator simplifies installation and monitors for proper electrical and water feed at all times.
- All stainless steel tanks and components.
- Extensive factory testing for all conditions.
- 6 year limited manufacturing warranty.
- Factory assistance provided from blueprint to finished product.

GENERATOR SIZING GUIDE

MODEL	MAXIMUM CUBIC FEET CAPACITY	KW	VOLTS		AMPS	BREAKER SIZE	WIRE SIZE @ 100'
SW-10	400	10.0	240	1	42	60A	6AWG
SW-10-3				3	24	30A	10AWG
SW-10-BD				1	42	60A	6AWG
SW-10-8			208	1	48	60A	6AWG
SW-12	500	11.5	240	1	50	70A	6AWG
SW-12-3				3	29	40A	10AWG
SW-12-BD				1	50	70A	6AWG
SW-12-8			208	1	58	80A	4AWG
SW-18	800	18	240	1	75	100A	3AWG
SW-18-3				3	43	60A	6AWG
SW-18-BD				1	70	100A	3AWG
SW-18-8			208	1	87	110A	2AWG

BD = Blowdown (Factory Installed)

Choose either the Classic Series or the Standard Series by adding a "C" or "S" to the end of the model #

Classic Series models contain (1) Steam Generator, (1) Accessory Kit in choice of finish, Probe Maintenance Instructions and Installation Instructions.

Standard Series models contain (1) Steam Generator, (1) Accessory kit in choice of finish, Probe Maintenance Instructions and Installation Instructions.

Standard Series models can be upgraded to a Deluxe Timer & Thermostat Kit or Combo Kit in choice of finish. **DELUXE TIMER & THERMOSTAT MUST BE INSTALLED INSIDE THE STEAM ROOM.**



PRE-INSTALLATION

1. Verify correct model has been sized for the cubic feet and type of steam room using the **GENERATOR SIZING GUIDE on Page 3**.
2. Check that the electrical power supply available is adequate for the voltage, amps and phase of the generator



WARNING ELECTRICAL SHOCK HAZARD

3. All installations and service must be performed by a qualified electrician and/or plumber and conform to all local and national codes. The generator must be installed and operated according to the instructions. Failure to do so will void the warranty and could lead to injury or death due to the live electrical components involved with installation.
4. Physical size of the unit and accessibility for plumbing service and Water Level Sensor Probe maintenance must be considered.

SAFETY INFORMATION



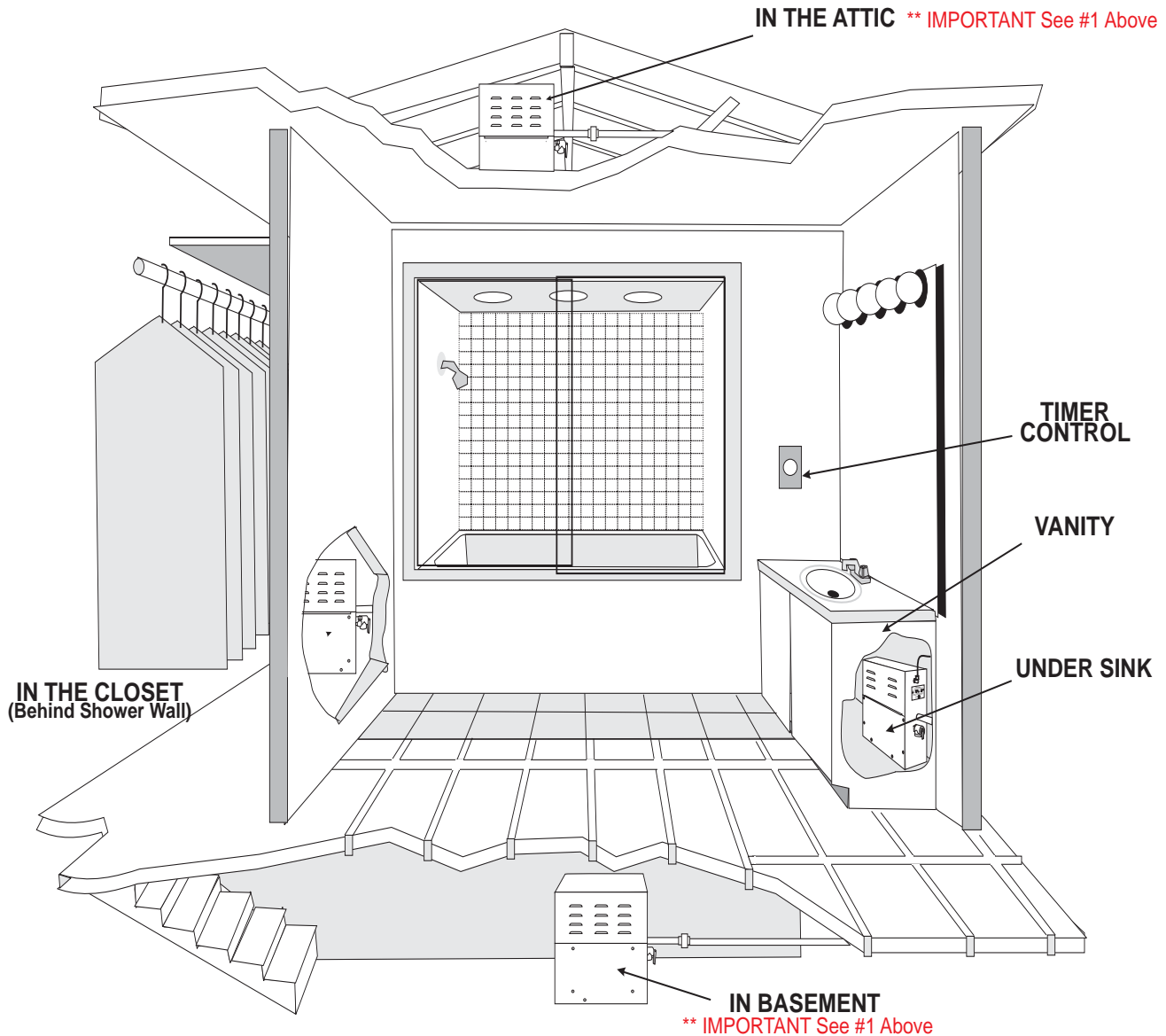
WARNING

1. Prolonged exposure to steam may cause hyperthermia. Hyperthermia occurs when the internal temperature of the body reaches a level several degrees above the normal body temperature of 98.6°F. The symptoms of hyperthermia include an increase in the internal temperature of the body, dizziness, lethargy, drowsiness and fainting. The effects of hyperthermia include: Failure to perceive heat; failure to recognize the need to exit the steam room; unawareness of impending risk; fetal damage in pregnant women; physical inability to exit the steam room; and unconsciousness.
2. The use of alcohol, drugs, or medication can greatly increase the risk of hyperthermia.
3. Some aroma therapy oils may cause an allergic reaction - **USE WITH CAUTION**.
4. Children under the age of 16 should not use the steam room without an adult.
5. The steam head, steam line, plumbing and other components become hot during operation. The steam head and plumbing must be installed in a location so that it cannot come into contact with users to prevent burning or scalding. Insulate plumbing lines for additional protection.
6. After the system is shut down the components will remain hot. Do not come into contact with the steam head or components until the system has returned to a normal temperature.
7. Always shut electricity off at the main breaker panel.



INSTALLATION

1. Place the steam generator in a location (heated attic, basement, vanity, closet or under shower bench) so that it is **ACCESSIBLE** and not more than 40' from steam room. **ALL** steam generators require maintenance. **
2. The steam generator should never be located where it is exposed to outside weather conditions or freezing temperatures, near flammable materials, inside the steam room or where access cannot be gained to Water Level Sensor Probe for maintenance.
3. Install in an upright and level position.
4. The serial number label should be visible and accessible for service.
5. A minimum of 1' of open unobstructed space must be left around the top and sides of the generator to allow for heat dissipation and accessibility for service.





PLUMBING

IMPORTANT: All plumbing should be done by a qualified plumber and must conform to all local and national plumbing codes.

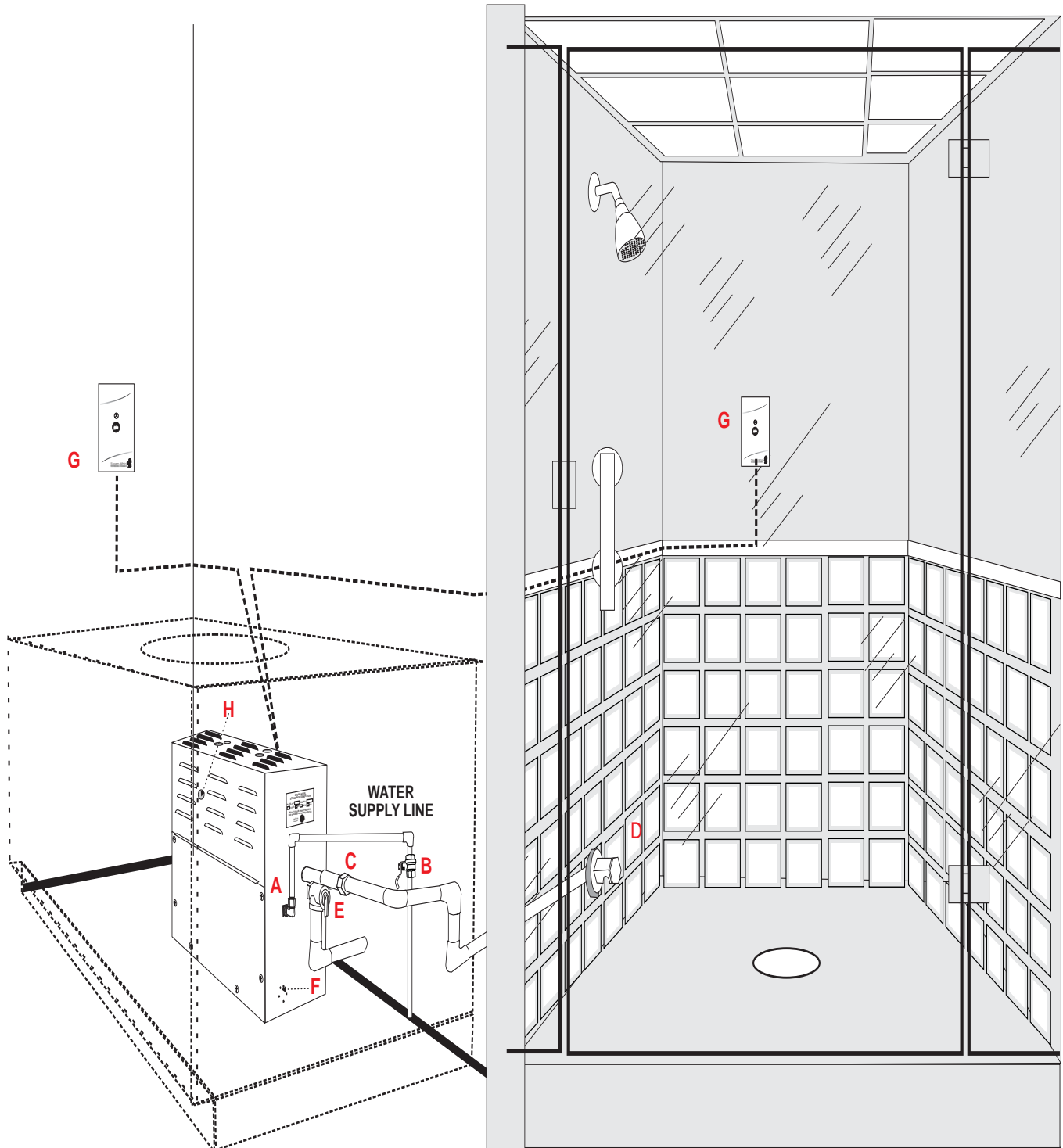


WARNING ELECTRICAL SHOCK HAZARD

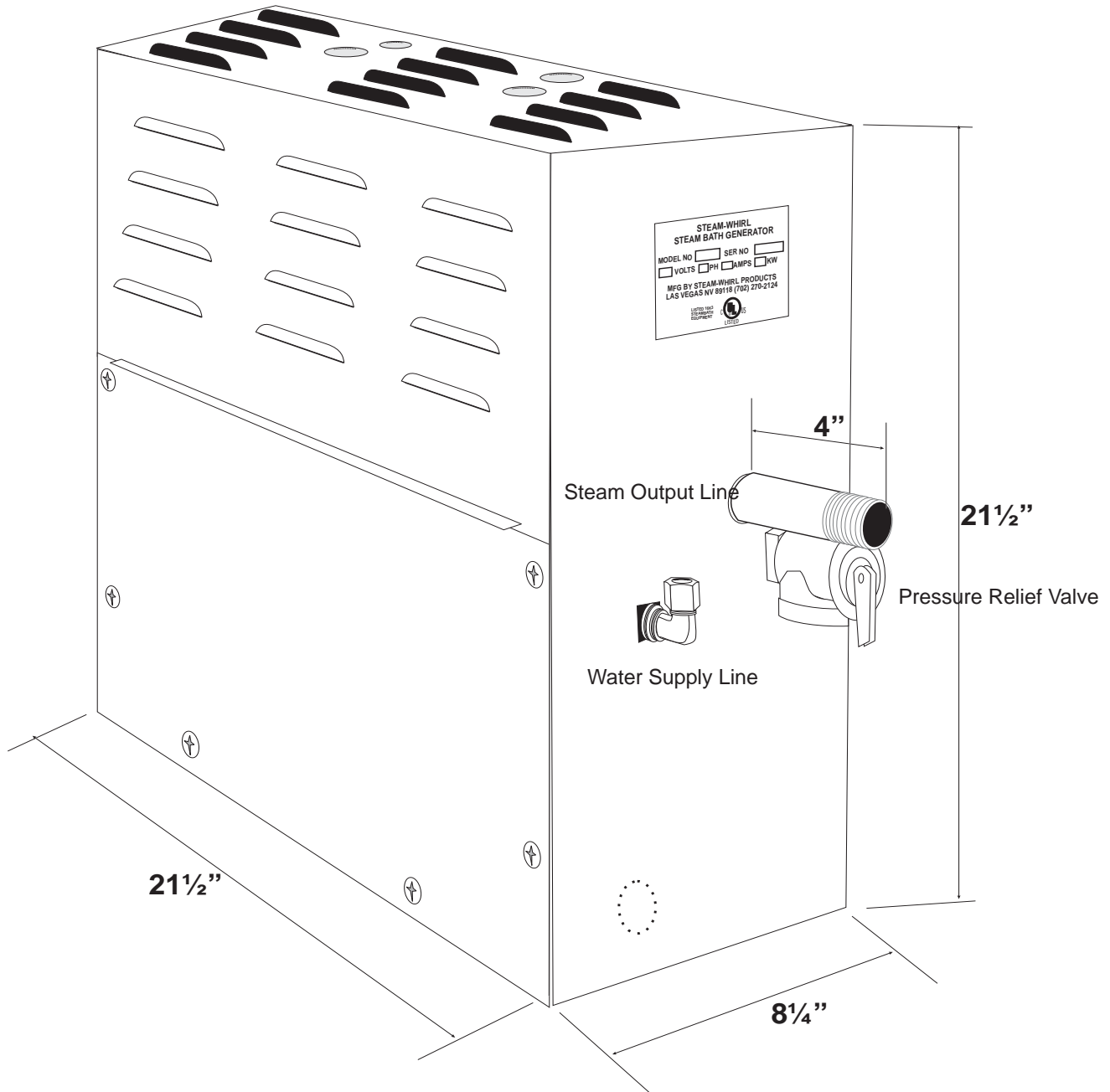
POWER MUST BE DISCONNECTED AT THE MAIN ELECTRICAL SUPPLY BEFORE MAKING ANY CONNECTIONS

1. Use copper or brass fittings only. DO NOT use galvanized or black iron.
DO NOT USE PLUMBERS PUTTY ON ANY WATER CONNECTIONS
2. A union must be installed close to the generator to facilitate easy removal, if necessary.
3. Tap off any existing water supply line, hot or cold, with 1/2" copper tubing or 1/2" NPT pipe.
4. Flush at least 1 gallon of water to clear line prior to connecting to the 1/4" compression water inlet fitting (**A in Plumbing Diagram**) on generator. When tightening this fitting, use two wrenches to avoid strain on Water Solenoid Valve inside generator.
5. Install a shut-off valve (**B in Plumbing Diagram**) on the water supply line as close to the generator as possible.
DO NOT USE A SADDLE VALVE
6. For best results install an inline filter between the shut-off valve and generator.
7. For best results, steam generator should be higher than the steam head. If this is not possible, steam line must slope 1/4" per foot minimum to steam room.
8. Connect 3/4" copper tubing or 3/4" NPT pipe to steam outlet (**C in Plumbing Diagram**) and run to approximately 8-12" off finished floor in shower or just above deck of bathtub on any wall not interfering with user and at least 12-14" away from seat or bench. For areas with acrylic or other non-heat resistant floors, install steam head 20-30" off finished floor in shower.
DO NOT PLACE A SHUT-OFF VALVE ON STEAM OUTLET LINE. ONLY ON WATER SUPPLY LINE.
WARNING: DO NOT PLUMB VALLEYS AND DIPS WHERE WATER FROM STEAM CONDENSATION IN THE LINE COULD COLLECT AND CAUSE BLOCKAGE.
9. Leave approximately 1/2" of threads protruding from finished wall. Place escutcheon on threads and screw on steam head (**D in Plumbing Diagram**). Take care not to scratch the steam head with wrench. Rotate steam head until open slot is facing down.
10. **IMPORTANT:** Steam head must be installed to prevent users from coming into direct contact with the steam head and the steam coming from it. While in use the steam head and steam coming directly from it will become hot and can burn. An optional Steam Diffuser is recommended for small steam rooms.
11. Connect 3/4" copper tubing or NPT pipe to the pressure relief valve (**E in Plumbing Diagram**) and 1/2" copper tubing or NPT pipe if using an optional Blowdown (**F in Plumbing Diagram**). Both of these items must be installed with a union and plumbed to drain to an approved location.
DO NOT PLUMB THE PRESSURE RELIEF VALVE LINE TO THE STEAM LINE OR INTO THE STEAM ROOM.

PLUMBING DIAGRAM



GENERATOR DIAGRAM



Water Supply Line	1/2" Copper Line, 1/2" NPT Female Thread
Steam Output Line	3/4" Copper Line, 3/4" NPT Female Thread
Pressure Relief Valve	3/4" Copper Line, 3/4" NPT Female Thread, Valve Supplied



ELECTRICAL

IMPORTANT: All wiring should be done by a qualified electrician and must conform to all local and national electrical codes.



WARNING ELECTRICAL SHOCK HAZARD

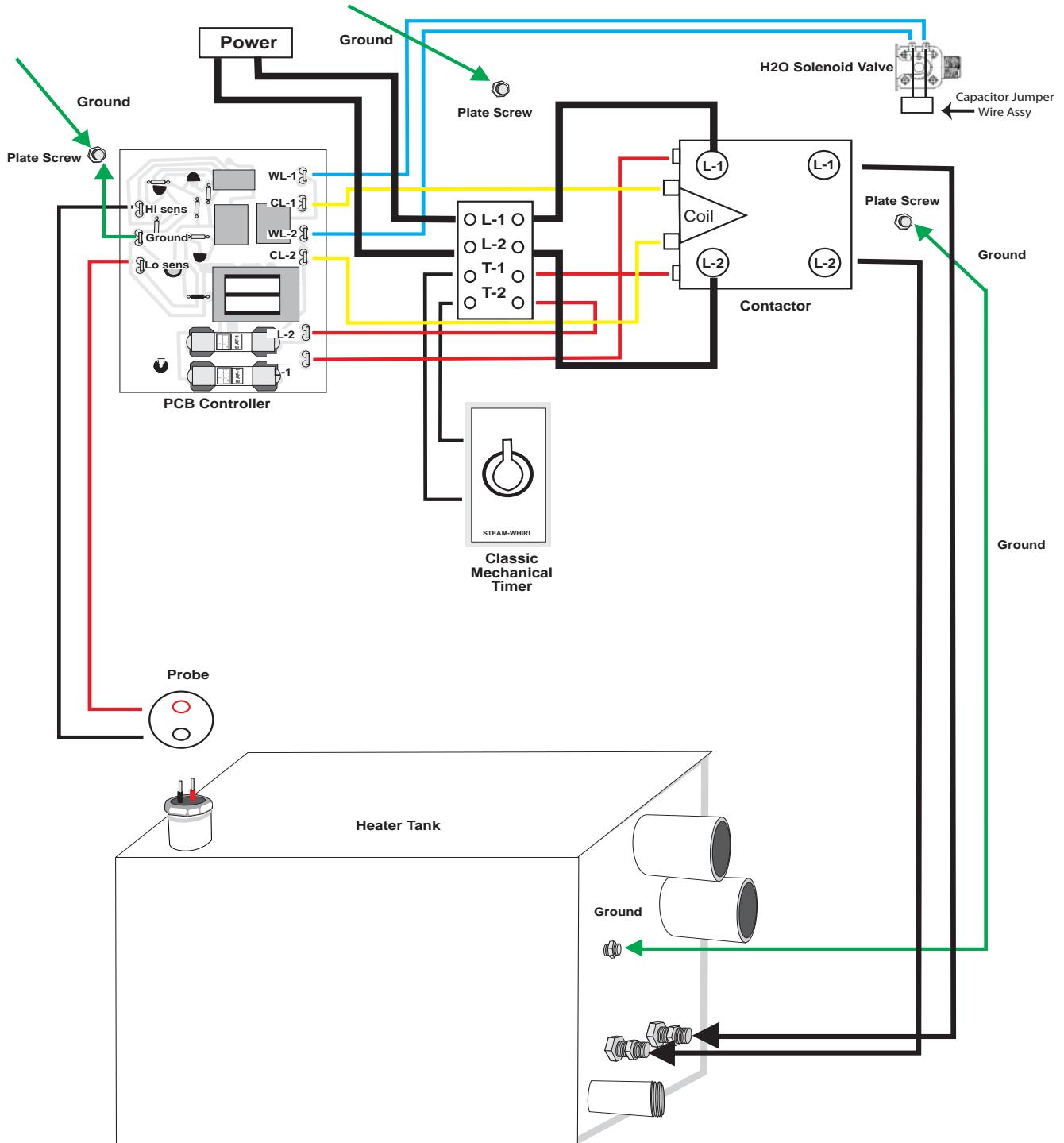
POWER MUST BE DISCONNECTED AT THE MAIN ELECTRICAL SUPPLY BEFORE MAKING ANY CONNECTIONS

1. Supply wiring should be sized in accordance with the distance, voltage and amps of the unit and suitable for 90°C.
2. A separate circuit breaker must be installed and sized according to the **GENERATOR SIZING GUIDE (Page 3)**.
3. Locate the electrical supply line knockout on top of generator enclosure. If this knockout is not going to be used, **DO NOT** drill a knockout on the left side of the enclosure (drop down door facing out). Running an electrical supply line through the left side of the enclosure could potentially damage the low voltage circuit board.
4. Strip 1/2" insulation from the two (2) power wires and the one (1) ground wire.
5. Bring the two (2) incoming electrical supply wires to L1 and L2 and the one (1) ground wire to the ground terminal.
6. If unit is a 3 Phase, bring the three (3) incoming electrical supply wire to L1, L2 and L3 and the one (1) ground wire to the ground terminal.
7. Install a power disconnect near unit.
8. Install Timer (**G in Plumbing Diagram**) according to Timer Installation Instructions.

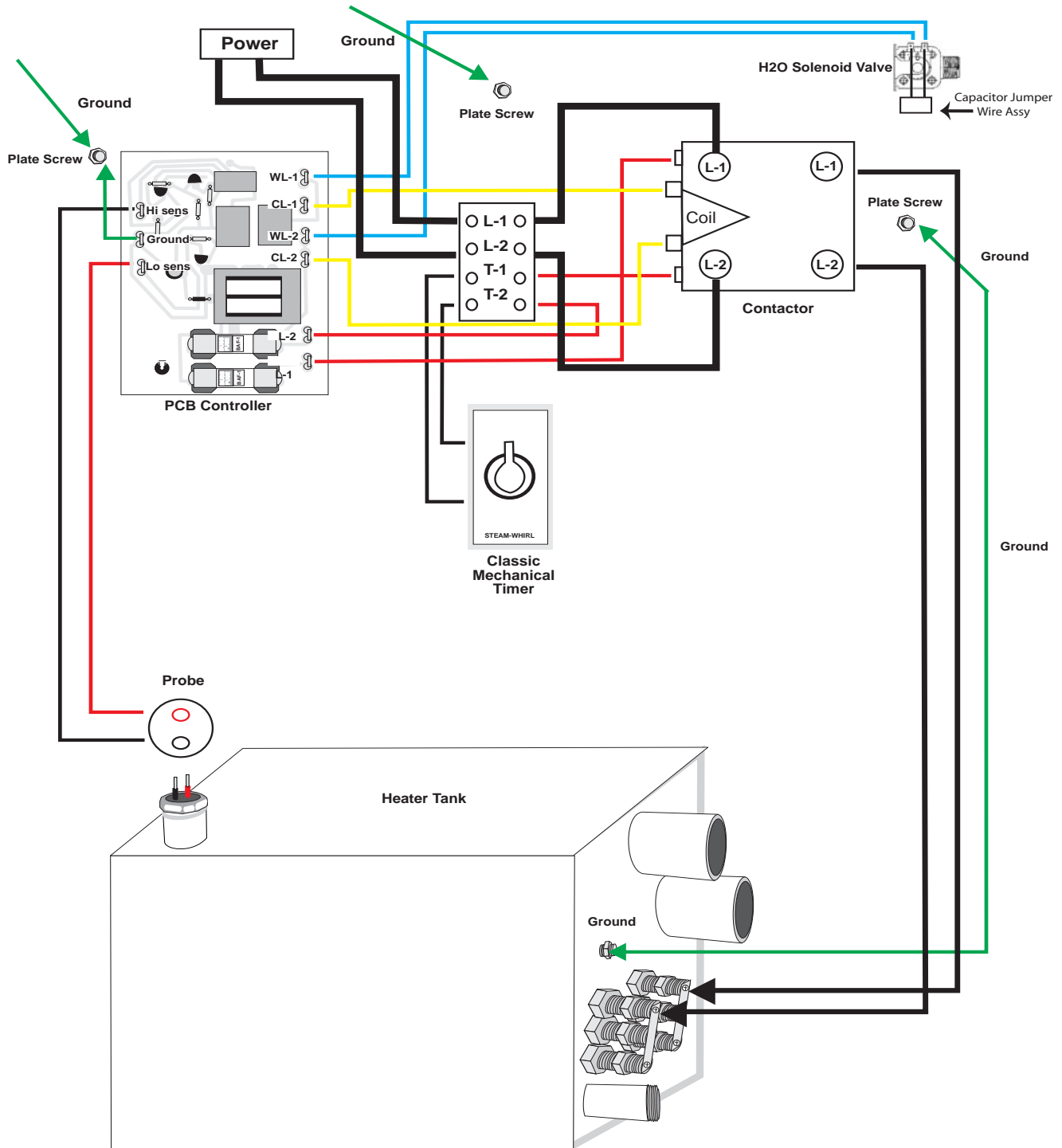
AUTOMATIC BLOWDOWN

1. Units with factory installed automatic blowdown are equipped with a two position spring return valve designed to electronically drain the water from the heating tank. Automatic blowdown flushes the system each time the unit is turned off allowing clean water to enter the tank for each use.
2. Systems equipped with the automatic blowdown feature keep stagnant water from sitting in the tank between uses giving the generator a longer life and reducing the amount of required maintenance.
3. All units come automatic blowdown ready, therefore this option can be added at any time after installation of steam generator. An automatic blowdown can be field installed by a qualified and experienced electrician.

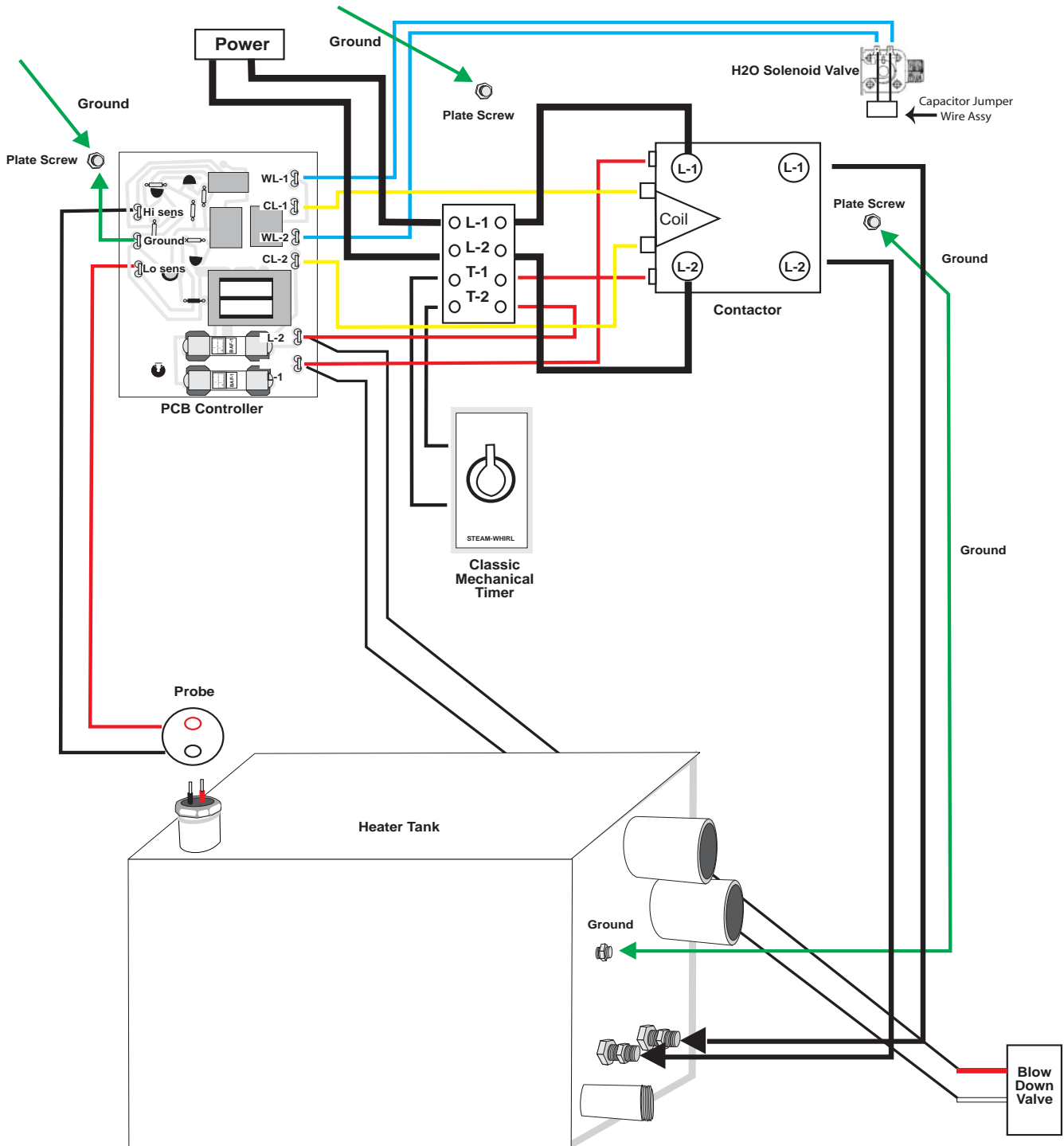
LARGE CLASSIC SERIES WIRING DIAGRAM-SINGLE PHASE SW-10 and SW-12



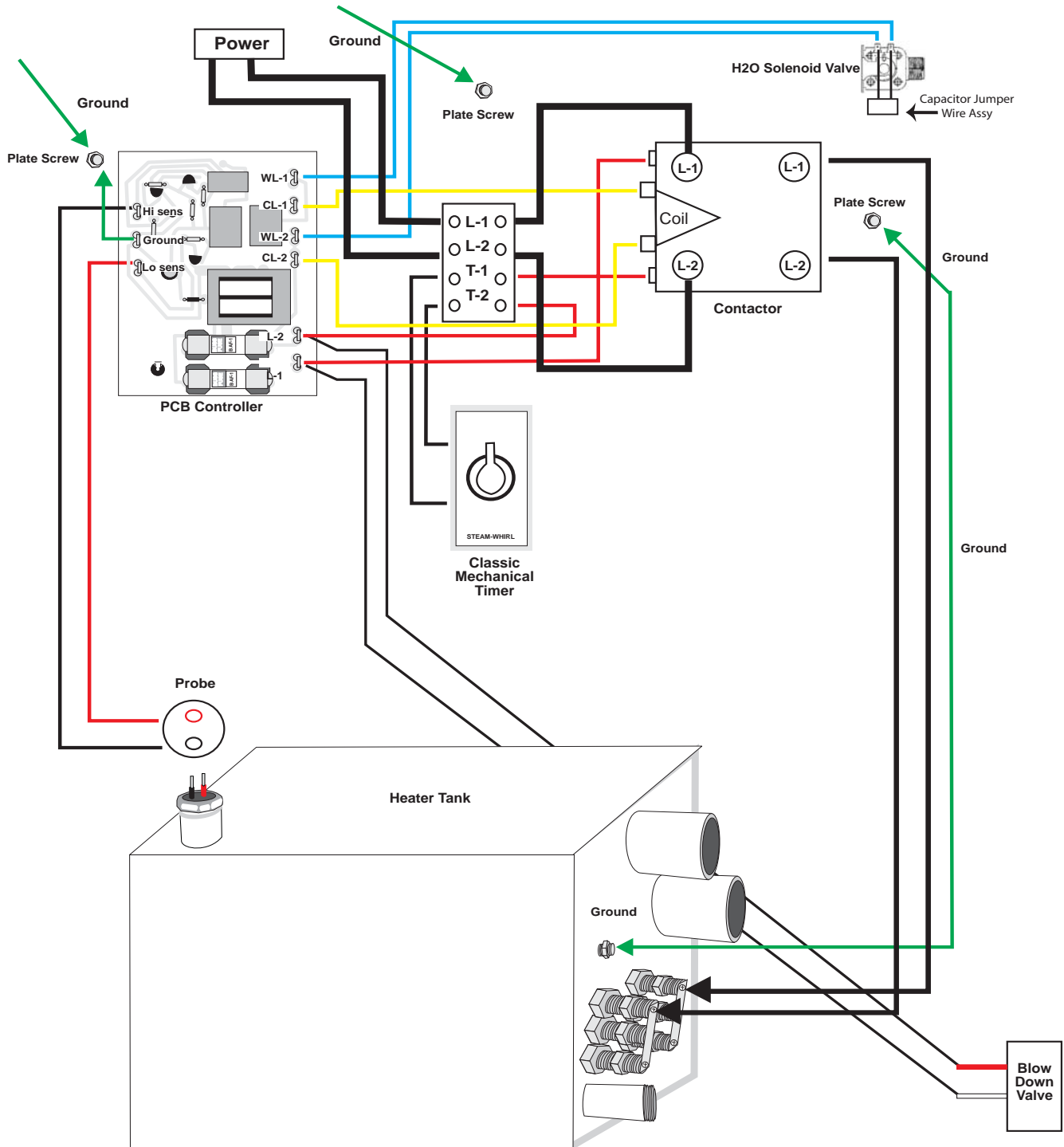
LARGE CLASSIC SERIES WIRING DIAGRAM-SINGLE PHASE SW-18



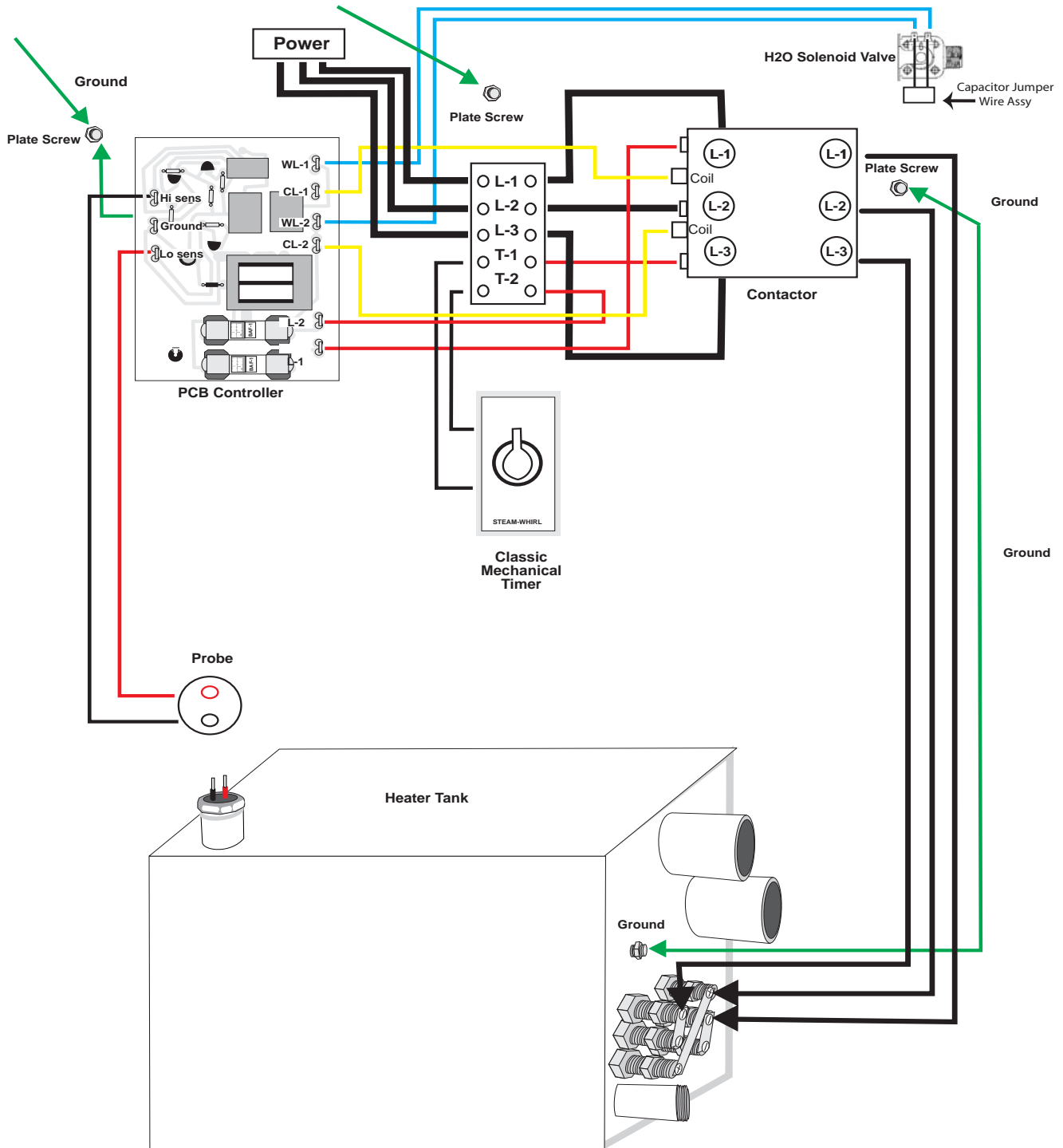
LARGE CLASSIC SERIES WIRING DIAGRAM-SINGLE PHASE w/BLOWDOWN SW-10 AND SW-12



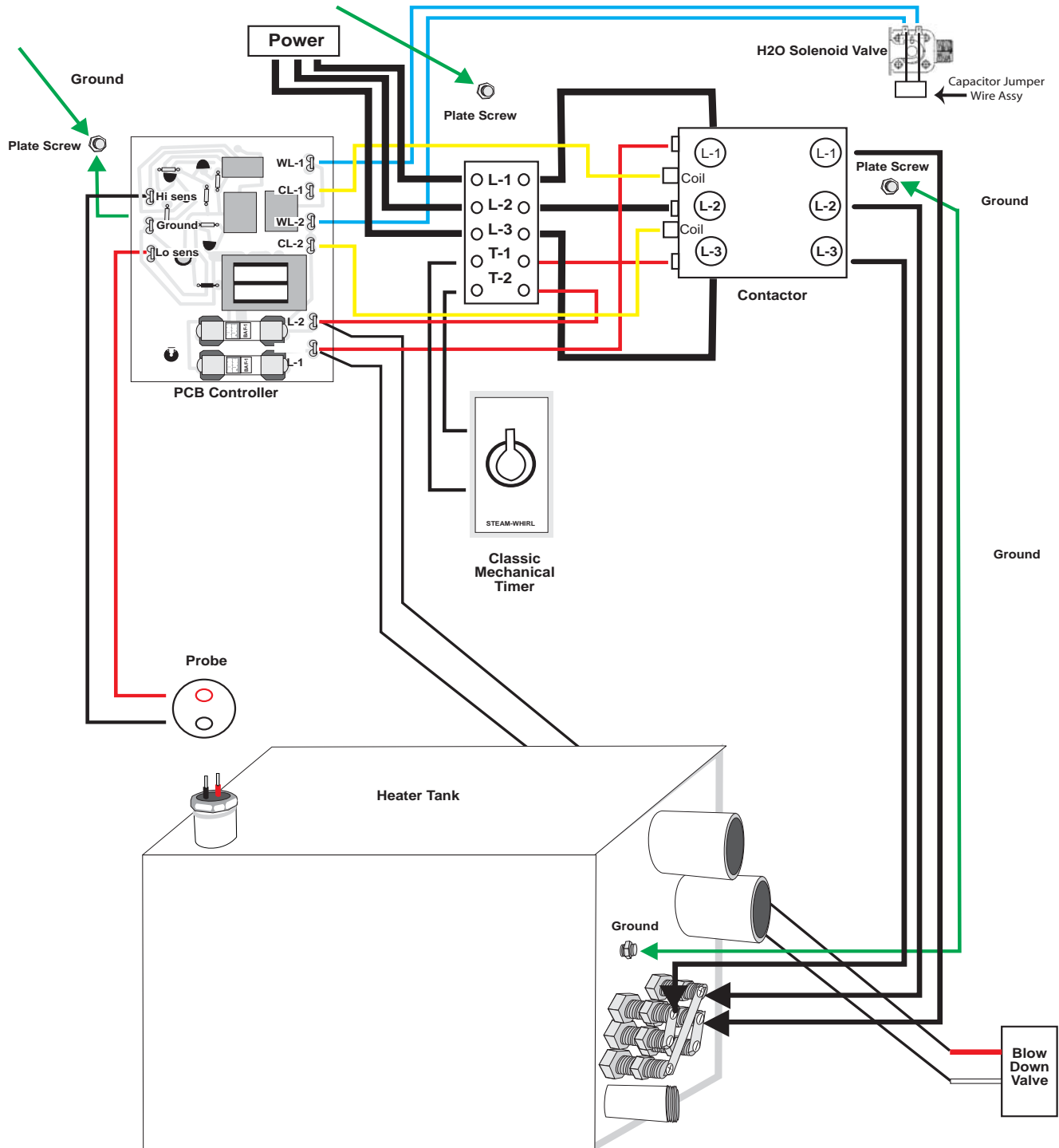
LARGE CLASSIC SERIES WIRING DIAGRAM-SINGLE PHASE w/BLOWDOWN SW-18



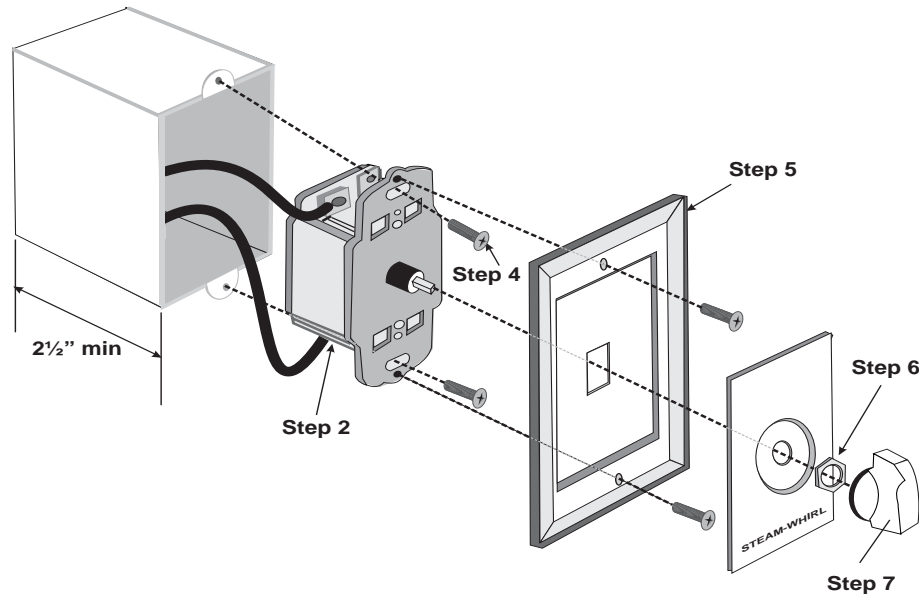
LARGE CLASSIC SERIES WIRING DIAGRAM-THREE PHASE SW-10, SW-12 and SW-18



LARGE CLASSIC SERIES WIRING DIAGRAM-THREE PHASE w/BLOWDOWN SW-10, SW-12 and SW-18



CLASSIC SERIES TIMER INSTALLATION

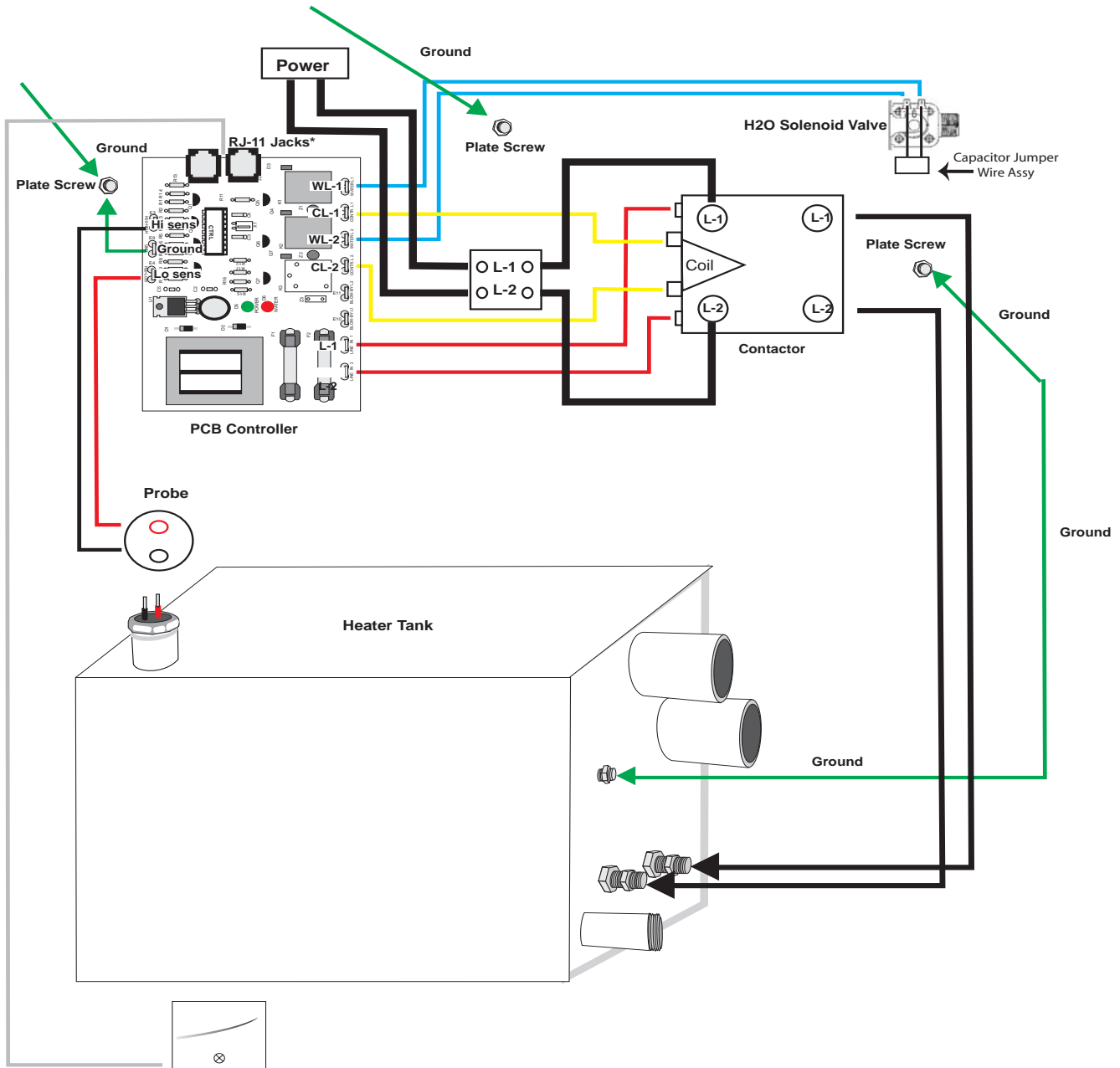


1. Turn power off at circuit breaker or fuse panel.
2. Timer should be located on a wall outside the steam room, 5' away..
3. Run 14 AWG wire from back of timer 1-NO and 1-C to T1 & T2 on terminal block inside steam generator.
4. Insert wired timer into a 2-1/2" (min) deep wall box with "TOP" indicated on front cover in proper position.
5. Fasten to wall box using the two (2) screws supplied.
6. Fasten the wall plate to the timer using the two (2) screws supplied with the plate. The screws must be self-tapped into the timer body and will require gentle inward pressure while firmly turning the screw.
7. Position small plastic timer dial so that "OFF" is in the up position. Install the hex nut and tighten.
8. Push knob onto timer shaft, handle facing down.

SYSTEM INITIALIZATION

1. After connections are completed, make sure power and water are on.
2. Turn on timer and allow sufficient time for unit to react.
3. Timer can be turned off manually before set time has elapsed.

LARGE STANDARD SERIES WIRING DIAGRAM-SINGLE PHASE SW-10 and SW-12

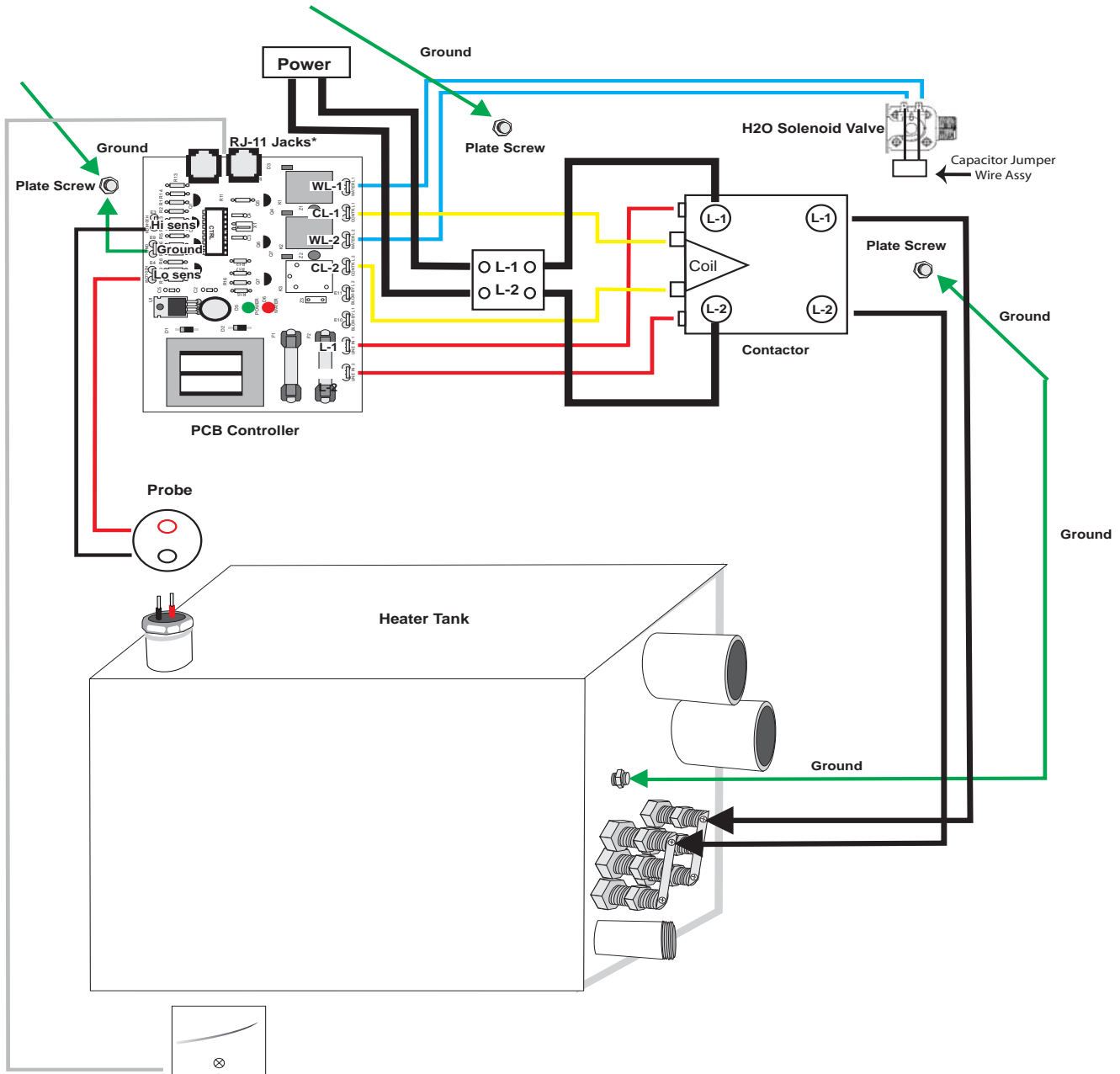


* Plug into either RJ-11 Jack, 2nd Jack is for optional Deluxe Timer



Standard Digital Timer

LARGE STANDARD SERIES WIRING DIAGRAM-SINGLE PHASE SW-18

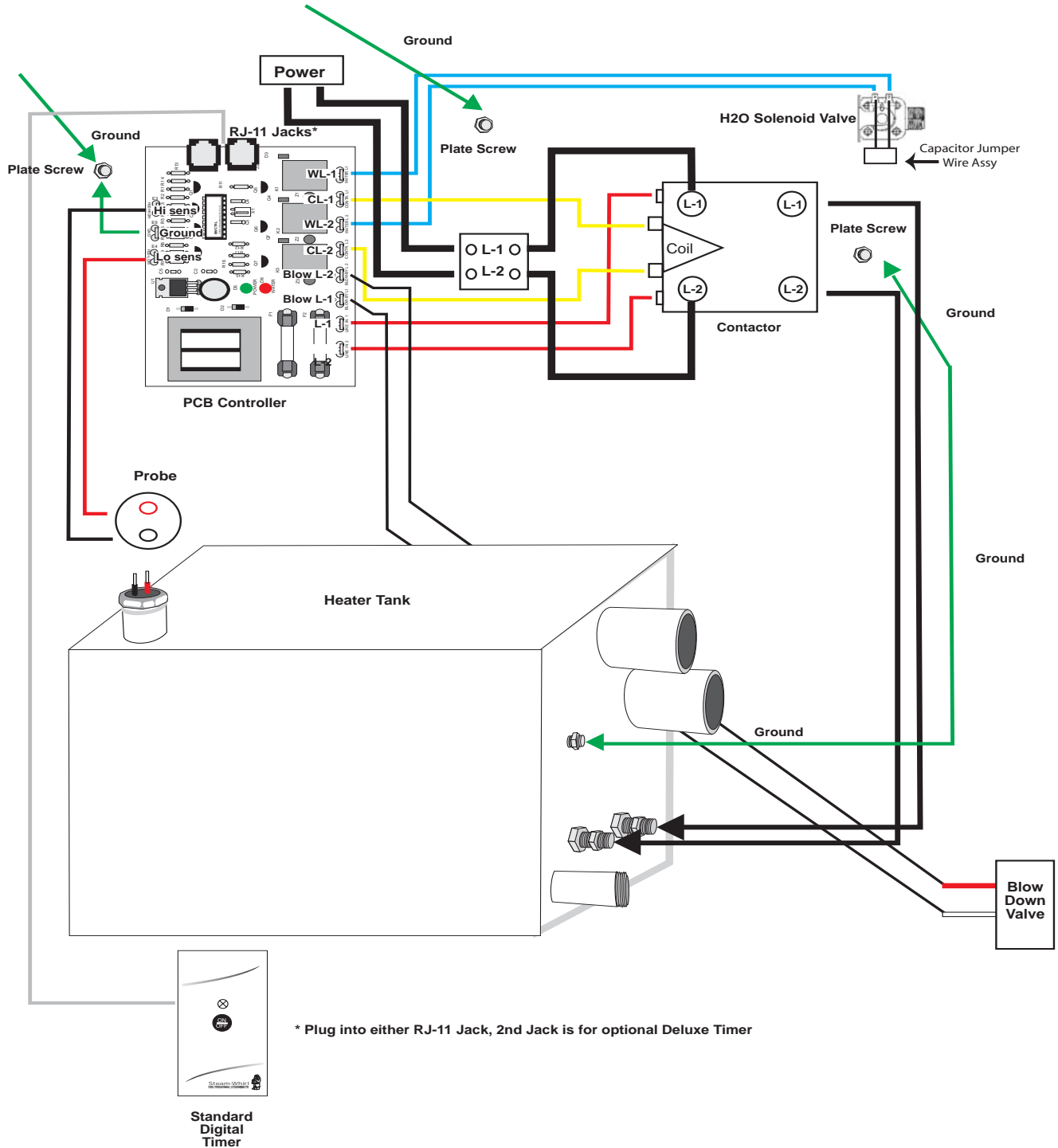


* Plug into either RJ-11 Jack, 2nd Jack is for optional Deluxe Timer

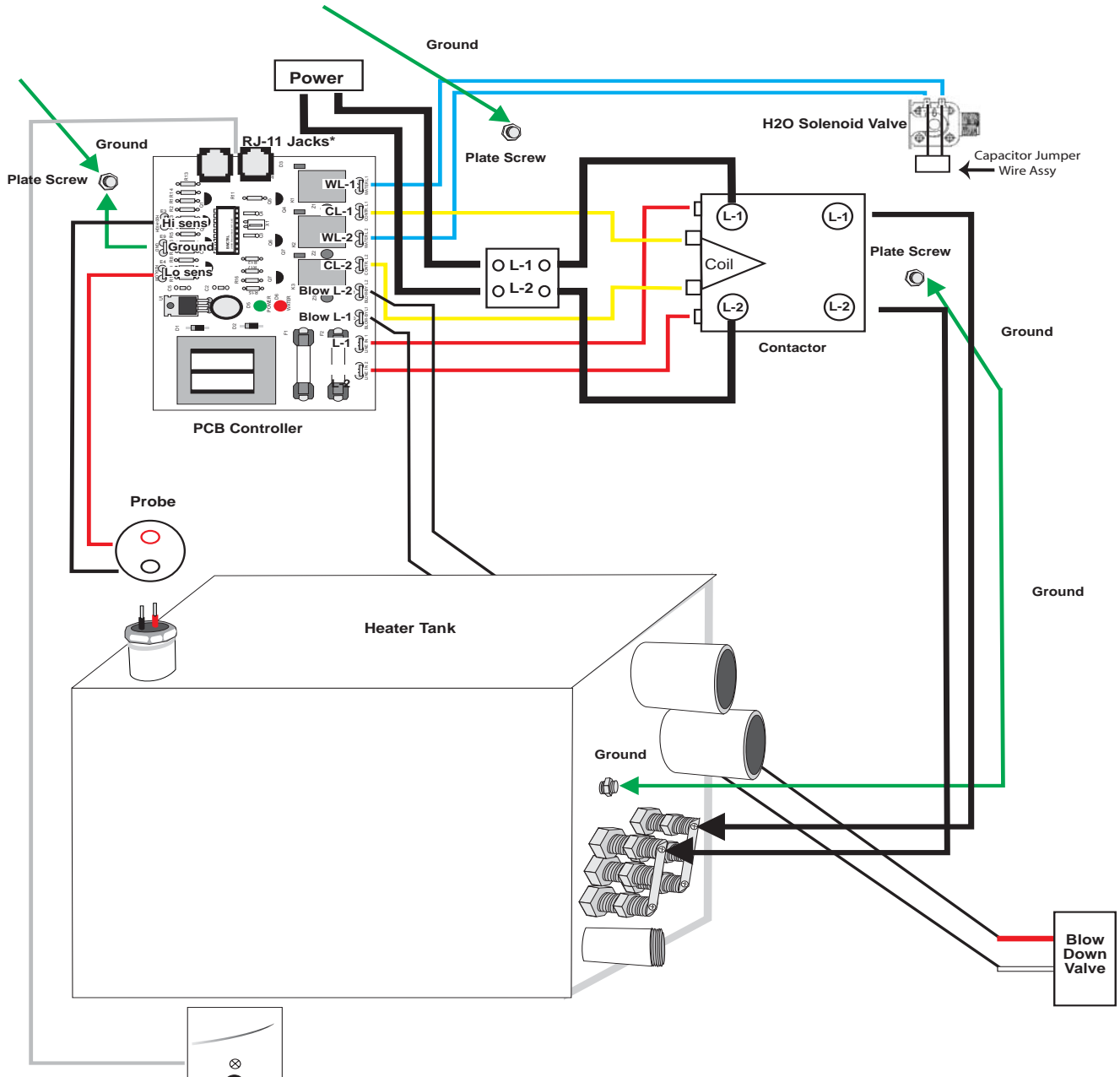


Standard Digital Timer

LARGE STANDARD SERIES WIRING DIAGRAM-SINGLE PHASE w/BLOWDOWN SW-10 and SW-12



LARGE STANDARD SERIES WIRING DIAGRAM-SINGLE PHASE w/BLOWDOWN SW-18

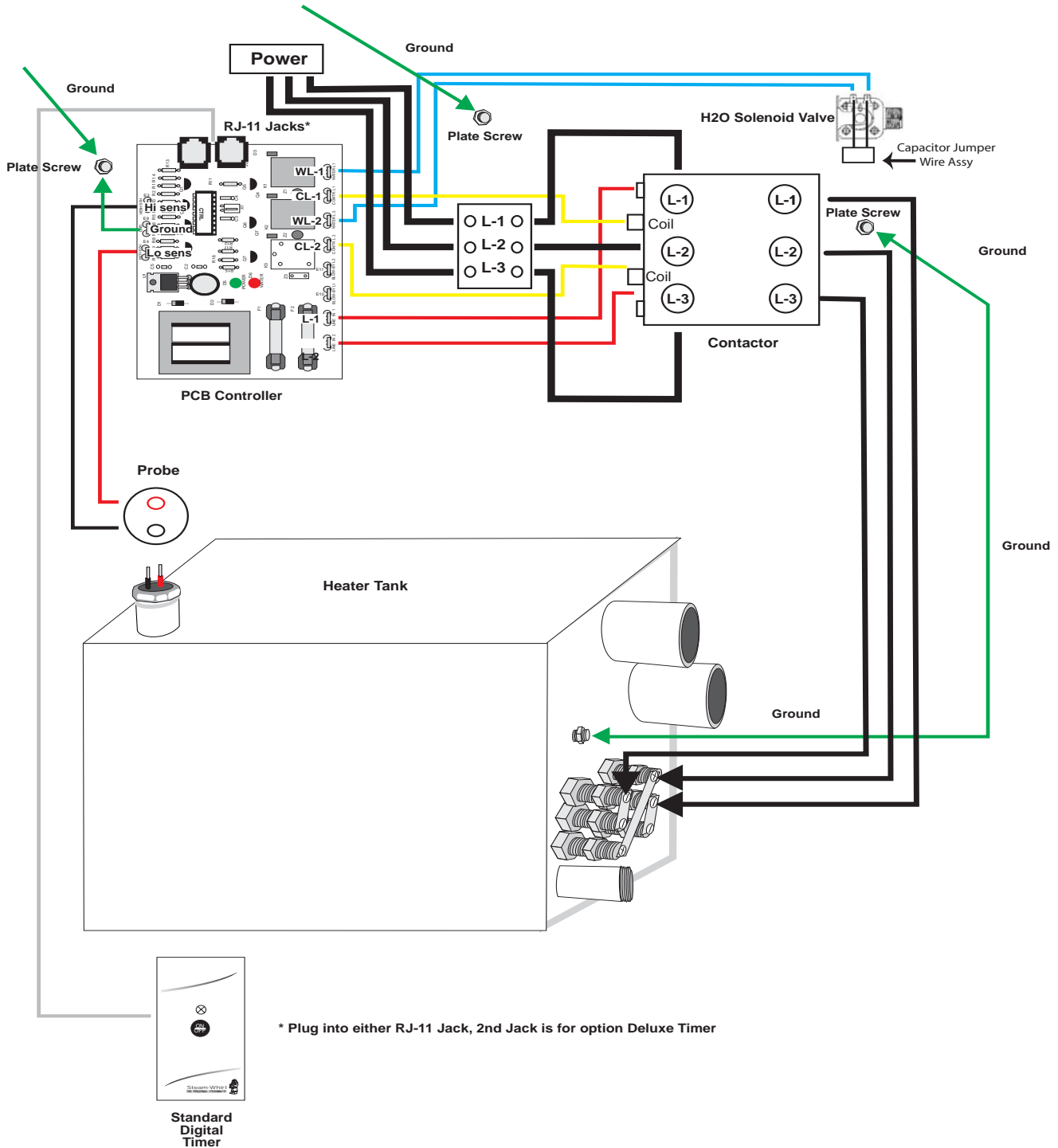


* Plug into either RJ-11 Jack, 2nd Jack is for optional Deluxe Timer

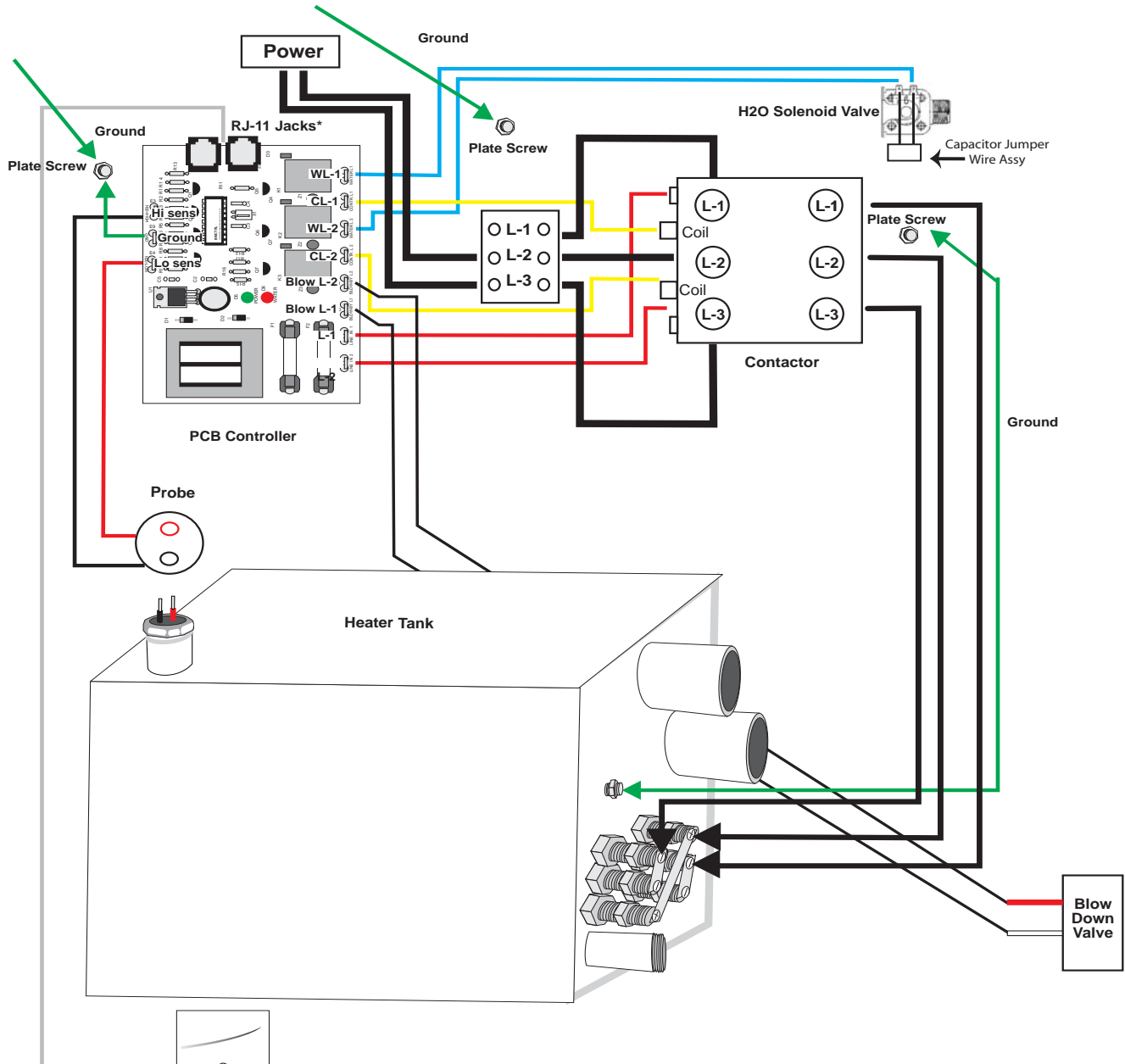


Standard Digital Timer

LARGE STANDARD SERIES WIRING DIAGRAM-THREE PHASE SW-10, SW-12 and SW-18



LARGE STANDARD SERIES WIRING DIAGRAM-THREE PHASE w/BLOWDOWN SW-10, SW-12 and SW-18

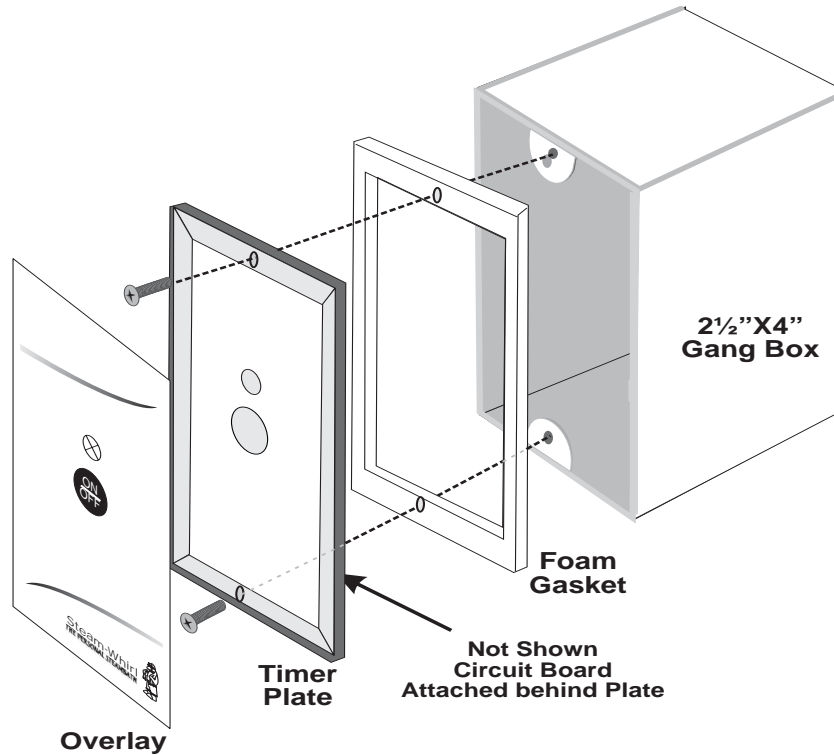


* Plug into either RJ-11 Jack, 2nd Jack is for option Deluxe Timer



Standard Digital Timer

STANDARD SERIES TIMER INSTALLATION



1. Plug RJ11 timer cable directly into PCB (Printed Circuit Board) at steam generator and test before installing permanently.
2. Unit must be tested before applying the decal and silicone.
3. Apply a bead of silicone RTV (supplied by Factory) to the front side of the foam gasket and adhere to the back of the timer plate aligning each hole on the side.
4. Apply a bead of silicone to the back side of the foam gasket and adhere to the wall, aligning the holes from the timer plate and gang box.
5. Screw the timer plate into the wall (gang box). **DO NOT OVER TIGHTEN**
6. When the timer plate is in place, run a bead of silicone on the outer rim of the plate.
7. Should it become necessary to move the faceplate decal, clean all residual adhesive using *ISOPROPYL ALCOHOL*.
8. *If the timer is installed in the shower, **YOU MUST** achieve a proper seal between the timer plate and the shower surface.*
9. From steam generator, connect supplied modular telephone cable to controller PCB (Printed Circuit Board), run cable through 3/4" conduit and connect to back of timer PCB.
10. **DO NOT** staple cables.

SYSTEM INITIALIZATION - STANDARD SERIES ONLY

- After all connections are completed, make sure power and water are on by verifying the following indicator lights viewable through front panel cutout hole (**H in Plumbing Diagram**).
 - Turn on timer and allow for sufficient time for generator to react.
 - Green light **ON** verifies electrical power is on (**H1**).
 - Green light **OFF** check circuit (**H2**).
 - Red light **ON** water level is low and tank is filling until water reaches proper level (**H1**).
 - Red light **OFF** water level is adequate (**H2**).
- Steam will begin to appear at the steam head.
- The timer control will shut off steam generator, when the factory temperature on Standard Timer or desired temperature on Deluxe Timer is reached.
- The timer will automatically resume, if temperature drops below set point.
- Steam will shut off automatically, when time display reaches zero.

H



H1



H2



AROMA THERAPY ESSENTIAL OILS



WARNING

DO NOT FILL STEAM HEAD RESERVOIR WITH AROMA THERAPY OIL WHEN THE STEAM GENERATOR IS TURNED ON. SEVERE BURNS MAY OCCUR.

- Before turning on steam generator, place one to two drops of oil in the recessed reservoir on the steam head.
- Turn on steam generator and as the steam room starts to fill with steam the oil will start to diffuse into the room.
- Oils may also be used directly in the water of a bath or whirlpool tub.

MAINTENANCE

WARNING ELECTRICAL SHOCK HAZARD

POWER MUST BE DISCONNECTED AT THE MAIN ELECTRICAL SUPPLY BEFORE PERFORMING ANY MAINTENANCE

1. The steam generator is designed for unattended operation and requires little maintenance.
2. Water Level Sensor Probe maintenance is as follows:
 - Shut off main electrical breaker.
 - Open dropdown door in front panel of generator enclosure and with a volt meter test that there is no voltage on power side of the terminal block L1 and L2. (See DIAGRAMS on Pages 10, 11, 12, 13, 14, 15, 17, 18, 19, 20,21 and 22)
 - On left side of heater tank locate the Water Level Sensor Probe and disconnect red and black wires from the top.
 - Carefully unscrew Water Level Sensor Probe.
 - Sand off any calcium build-up or debris on sensor tips.
 - **DO NOT CUT OR TRIM SENSOR WIRES**
 - Apply white teflon tape around thread.
 - Carefully screw Water Level Sensor Probe back in.
 - Reinstall red and black wires to top of Water Level Sensor Probe.
 - Turn on main electrical breaker.



WATER LEVEL SENSOR PROBE

NOTE:

This maintenance is suggested for any service specialist. Iron content in local water will determine the frequency of probe service. Start out at least once a month and if the probe is clean and not coated, then try every two months, etc. More frequent servicing of the probe may be needed if the unit is in an extremely hard water area or the water is supplied by a well.

WARRANTY

Steam-Whirl Products warrants its products to be free of defects in workmanship and material, under normal use and maintenance, for a period of (6) years from the date of original purchase.

Steam-Whirl Products liability under this warranty shall be limited to repair or replacement of products that have been determined to be defective in either materials or workmanship by an agent or representative of Steam-Whirl Products. If repair or replacement cannot be made on the premises by such agent or representative then the product should be sent to the service facility.

Technical Service
STEAM-WHIRL PRODUCTS
3775 W Teco Ave #5
Las Vegas, NV 89118-6827
800-232-7832

Products being sent to the service facility need to have prior approval and an RMA # (RETURNED MERCHANDISE AUTHORIZATION #) assigned. The products are to be packed in a well padded box, include RMA #, name, return address and daytime phone number along with a short description of problems. Mail or ship the unit, prepaid, to the above address.

If the product is returned for a defect other than in materials or workmanship a reasonable charge will be made for parts, labor and shipping.

This warranty shall be void and/or does not cover the following:

- 1) Charges for parts or labor incurred before delivery of product to the address above.
- 2) Any damage or defect caused by the installer, service company, user or any other person.
- 3) Installation is not in accordance with the installation instructions provided with the product and/or installation by a person other than a licensed electrician or plumber.
- 4) Deterioration due to normal wear and tear.
- 5) Misuse, accident, incorrect operation, lack of proper maintenance, acts of God.
- 6) Chemical corrosion.
- 7) Alteration of product in any way.
- 8) Exposure to outside weather conditions or temperatures.
- 9) Contact shows evidence of short circuiting.
- 10) Damage incurred in transit. The user or installer must examine the product immediately on delivery, before installation and report any damage to the carrier and the seller.
- 11) Shipping costs to or from warranty service facility unless required by applicable law.
- 12) Repair or replacement of any installation materials including, but not limited to, tiles, marble, etc or costs relating to obtaining access for repair, removal or reinstallation of the product or a replacement product.

It is the responsibility of the user, installer or contractor to provide access for service and removal of the product, if necessary. Steam-Whirl Products is not responsible for any costs relating to accessing the product or its removal.

The dealer, distributor and/or installer is responsible for knowing the applicable building codes and the dealer and/or distributor should notify the installer of same or confirm that the installer is aware of the applicable building codes. Building codes vary from location to location and Steam-Whirl Products cannot be responsible for knowledge of such codes.

No other company or person has any authority to make any warranties or representations concerning Steam-Whirl Products or the products. Accordingly, Steam-Whirl Products is not responsible for any such warranties or representations.

Steam-Whirl Products has not made and does not make any warranty, either expressed or implied, about the condition, merchantability, design or operation of the product or its fitness for any particular use or purpose, or the quality of the materials or workmanship in the product or any other representation or warranty beyond the terms of this warranty.

Steam-Whirl Products shall not be liable for the user's incidental or consequential damages. User acknowledges that the price of the product would be higher if Steam-Whirl Products were liable for consequential or incidental damages.

Some states do not allow the exclusion or limitation, in whole or in part, of warranties or the exclusion of consequential or incidental damages, therefore the above limitation or exclusions may not be applicable to you.

Steam-Whirl Products warranty obligation shall be discharged upon tender of repair or replacement. User's refusal to accept the tender terminates Steam-Whirl Products' warranty obligation.

MODEL # _____

DESCRIPTION _____

SERIAL # _____

Water Sensor Probe Maintenance Schedule:

1st Check Suggested: _____

2nd Check: _____

3rd Check: _____

LISTED 16K3
STEAMBATH
EQUIPMENT C



US

LISTED



STEAM ~ WHIRL

Heat

Heat Spa Kur Therapy Development Inc
www.h-e-a-t.com — [DrB @h-e-a-t.com](mailto:DrB@h-e-a-t.com)